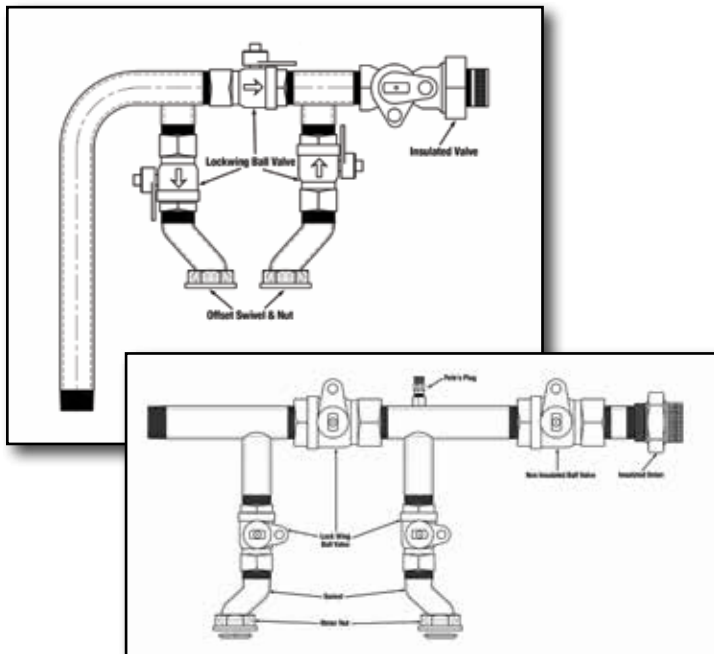
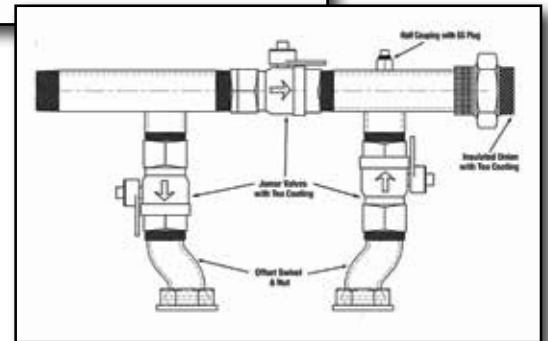
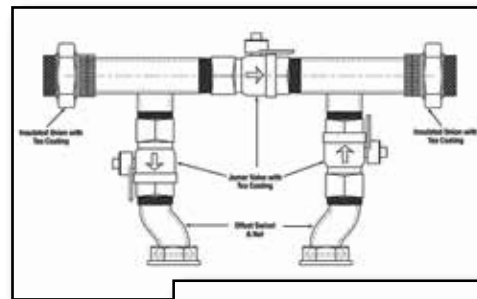
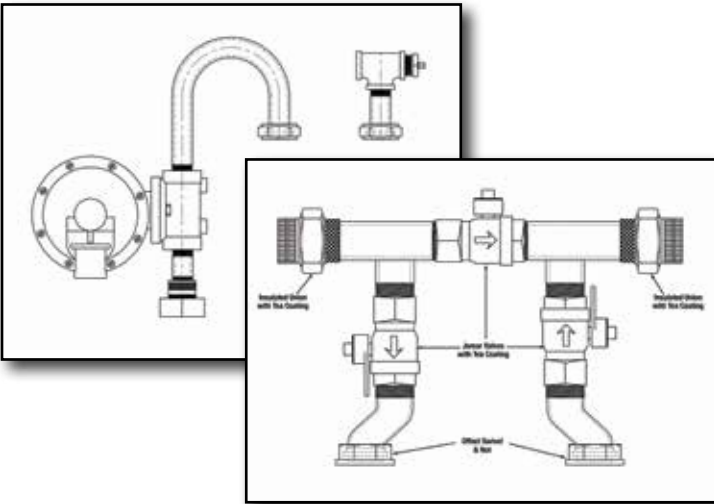
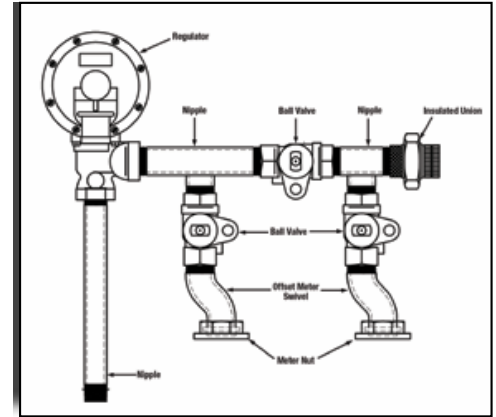


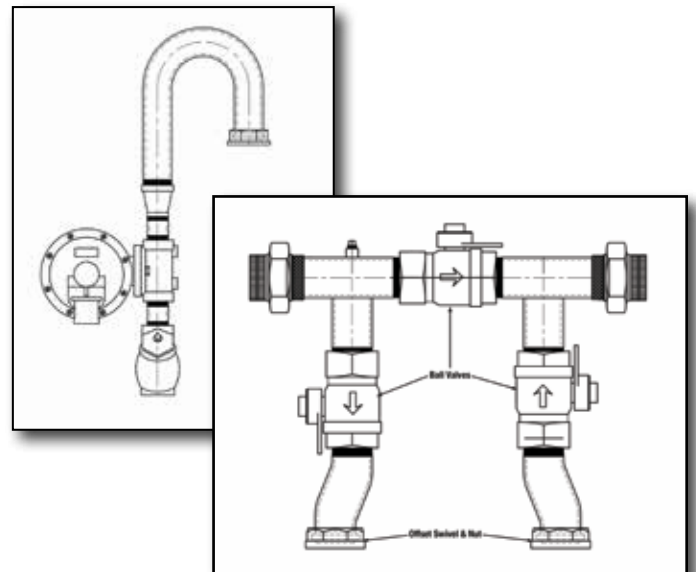
Commercial Prefabricated Meter Sets



AEC can provide standardization to the utilities throughout their diaphragm meter range. We can fabricate loops, coining, and bypasses from a 200 class meter all the way up to a 1000 class meter with the largest connection of 2" #5 Sprague. We are the only fabricator who has developed this range of sophistication, equipment and tooling in the market place. Let's not only develop standardization for the residential class but also standardize and look at total cost of ownership throughout your system. Know your system by standardization across all diaphragm meter designs and conform today to bring you closer to compliance with DIMP.



600 Class Prefabricated - Single and Bypass



1000 Class Prefabricated - Single and Bypass

800 Class Prefabricated - Single and Bypass